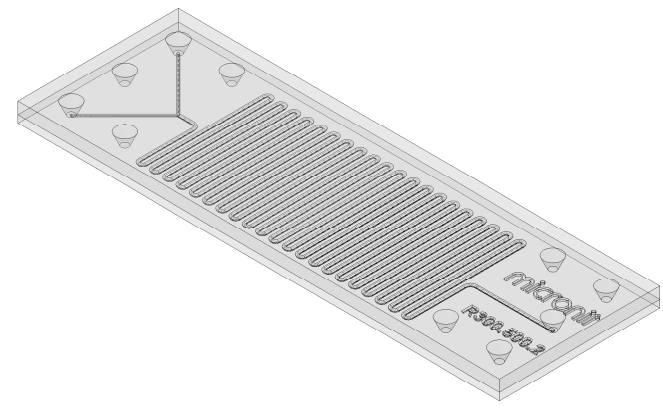
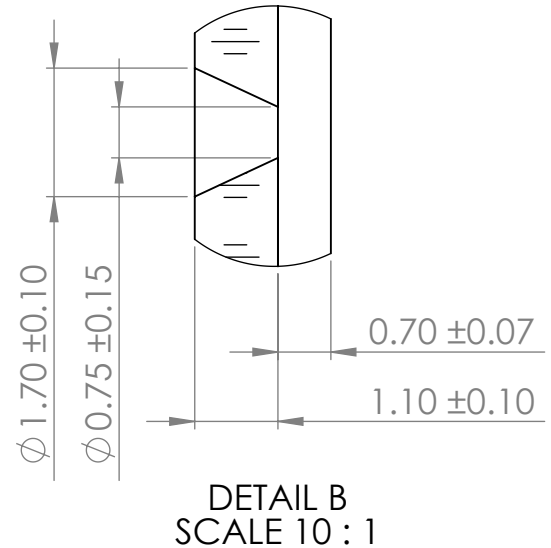
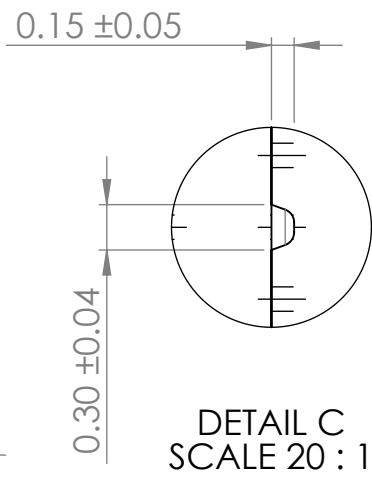


	Length [mm]	#	Volume [μl]
Inlet channel	7	2	0.15
Microreactor channel	500	1	18.42
Microreactor R300.500.2			18.72



 THIRD ANGLE PROJECTION	UNLESS OTHERWISE SPECIFIED: DIMENSIONS ARE IN MILLIMETERS			SURFACE FINISH: 	Sheet format: <b>A4</b>
	SURFACE TREATMENT: TOLERANCES: LINEAR: ±. ANGULAR: ±.				DEBUR AND BREAK SHARP EDGES
		NAME: BvD	SIGNATURE:	DATE: 3-5-2016	<h1 style="text-align: center;">Microreactor R300.500.2</h1>
DRAWN: BvD MOD: CHK'D: WB		Projectnr. RD0931.003		DATE: 4-5-2016	
PROPRIETARY AND CONFIDENTIAL THE INFORMATION CONTAINED IN THIS DRAWING IS THE SOLE PROPERTY OF MICRONIT MICROFLUIDICS BV. ANY REPRODUCTION IN PART OR AS A WHOLE WITHOUT THE WRITTEN PERMISSION OF MICRONIT MICROFLUIDICS BV IS PROHIBITED.		MATERIAL: Borofloat glass		WEIGHT: 2.91	
DWG NO. <b>R300.500.2</b>			SCALE: 2:1		DO NOT SCALE DRAWING
REVISION: 0					SHEET 1 OF 1